

INSTALL GUIDE

Engineered Wood Siding

Table of Contents

Storage.....	3
Stud Spacing Wall Construction.....	4
Sheathed Wall.....	4
Insulated Sheathing.....	5
Furring Strips.....	5
Above Windows and Doors.....	6
Below Windows.....	7
Below Rooflines.....	7
Starter and Overlaps.....	7
Nailing.....	8
Fastner Requirements.....	8
Blind Nailing.....	9
Face Nailing.....	9
Trims and Accessories.....	11
Siding Joints.....	12
Caulking Only.....	12
Caulkless Butt Joint Detail.....	12
Joint Covers.....	13
Corners.....	13
Above Windows and Doors.....	14
Below Windows.....	14
Over Openings.....	15
Finish Repairs.....	15
Care of Pre-Finished Siding.....	15

FOREWORD

This Guide has been produced to help builders and contractors with the installation of KWP® siding and trim products. It is based on the safe and proven practices and also gives guidance on proper tools for working with KWP siding and trim products.

This guide should be read in conjunction with project drawings and specifications, applicable building codes, and relevant compliance documents.

As a result of continuous improvements, this document can be changed and it is important to always check if it is the up-to-date version and it is user's responsibility to check at KWP web site for the latest version.

CONTACT FOR MORE INFORMATION:

1 -888-657-5786

www.kwpproducts.com

info@kwpproducts.com

1. STORAGE

Compliance with KWP installation, storage and maintenance requirements and with the applicable building codes in your region is mandatory. Problems caused by failure to comply with these requirements and codes may not be covered under applicable warranties.

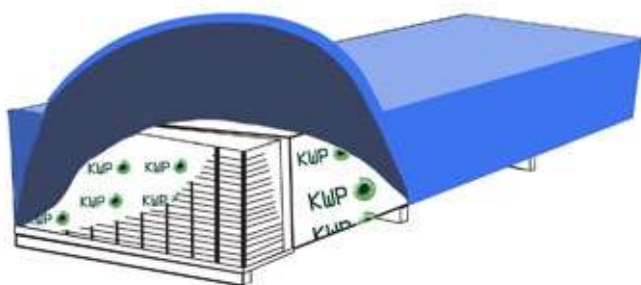
Warning

Do not install products which appear to be or which you believe to be non-conforming. Before you begin, consult the applicable building codes in your region for requirements regarding the installation of siding, weather barrier (house wrap), caulking, etc.

Follow the manufacturer's instructions for installing the weather barrier and applying caulking.

- Store off the ground, on a flat surface on pallets to avoid sagging and contact with the ground.
- Siding must be covered and protected from the elements with a water resistant cover provided by KWP.
- Allow siding to adjust to atmospheric conditions prior to installation.

Do not store KWP Eco-Side siding in a heated building. This can affect the humidity content in the wood and make it susceptible to buckling.



As with all wood products, do not apply KWP Eco-Side siding to a structure where excessive moisture conditions exist such as drying concrete or plaster. Installation over new masonry walls is not recommended until walls are thoroughly dry. Where siding is applied over masonry construction, it must be installed over furring strips spaced 16" (400 mm) O.C. and of adequate thickness to accept the full length of the recommended nail

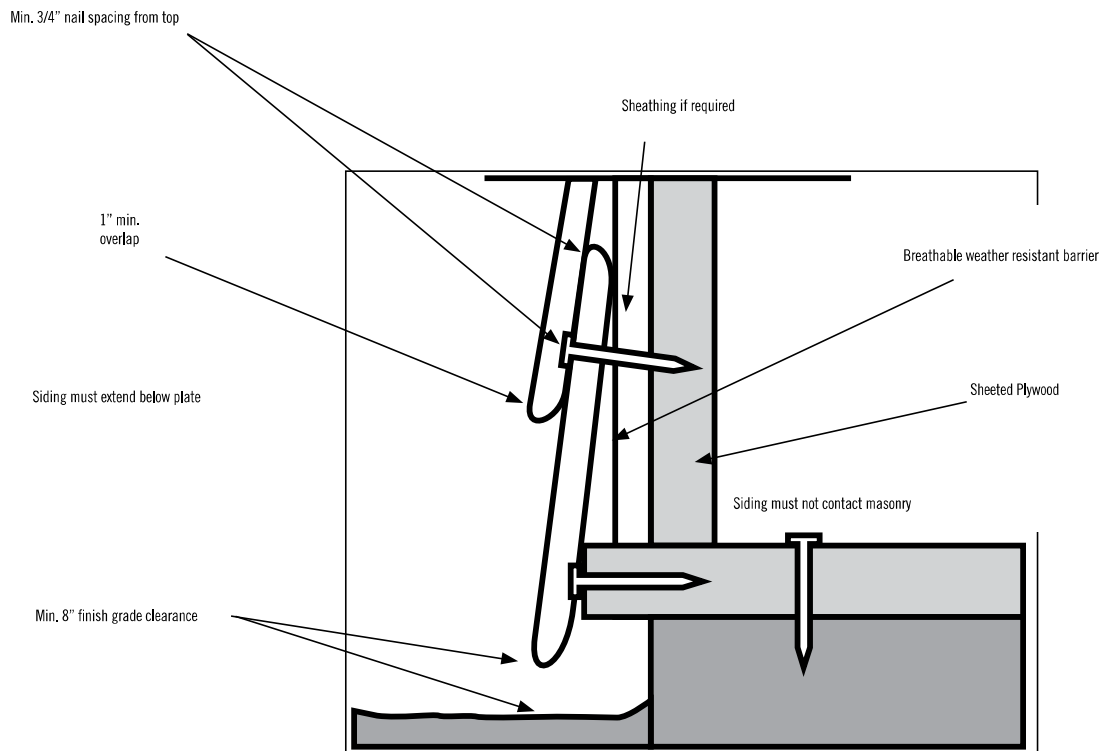
2. STUD SPACING AND WALL CONSTRUCTION

KWP Eco-Side siding may be installed over sheathed or unsheathed walls (use a breather-type paper) and must be nailed into studs spaced not more than 16" (400 mm) O.C. Leave at least 8" from the ground. The siding should not have direct contact with concrete. Siding must be installed in a manner that prevents moisture infiltration and water build-up. To prevent buckling, do not apply siding to green or crooked structural. Check your local building codes for application procedures for handling moisture and moisture vapor in your area.

2.1 Sheathed Wall

KWP Eco-Side siding may be installed over sheathed walls and must be nailed into studs spaced not more than 16" (400 mm) O.C. Leave at least 8" from the ground and the siding should not have direct contact with concrete.

The bottom-most plank must be lifted to give it the same angle as the rest of the siding. Use a strip of siding, panel or wood (3/8" or 7/16" thick x 3/4" or 1" wide) that will resist the elements to lift the first course of siding. See picture below



2.2 INSULATED SHEATHINGS

When installing KWP Eco-Side siding over foam plastic or fiberglass sheathings, the following precautions must be followed:

1. For foam plastic sheathing under 1" (50 mm) thick, siding can be nailed directly, compensating for nail length
2. For foam plastic sheathing 1" (50 mm) or thicker or for fiberglass sheathing, strapping must be installed to provide a solid, level nailing base.

2.3 Installing Furring Strips

Vertical furring strips create a ventilated space between the siding and the water-resistant barrier. This space allows any water that may infiltrate behind the siding due to driving rain, wind or morning dew to escape rather than accumulating behind the siding. It also allows water vapour from inside the building released by the water-resistant barrier to escape without damaging the wall.

FURRING STRIP SPECIFICATIONS

1" x 3" furring strips (1" x 4" is acceptable).

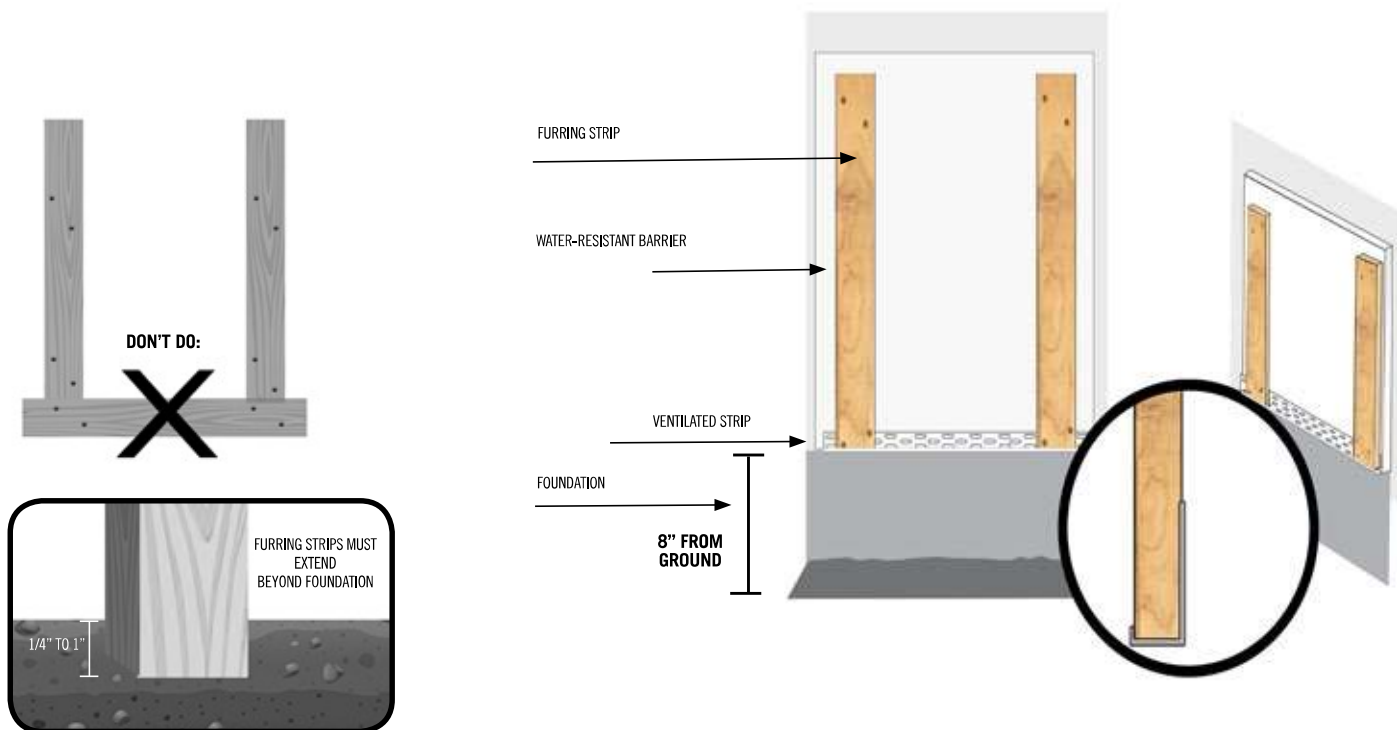
Kiln-dried

Furring strips must be new, straight and undamaged.

If the siding is being installed as part of a renovation project, replace all existing furring strips with new compliant strips.

INSTALLING FURRING STRIPS

Install furring strips vertically and secure them firmly to the structure using two nails or angle screws every 12-16". Nails must have a minimum penetration of 1 1/4" in the structure



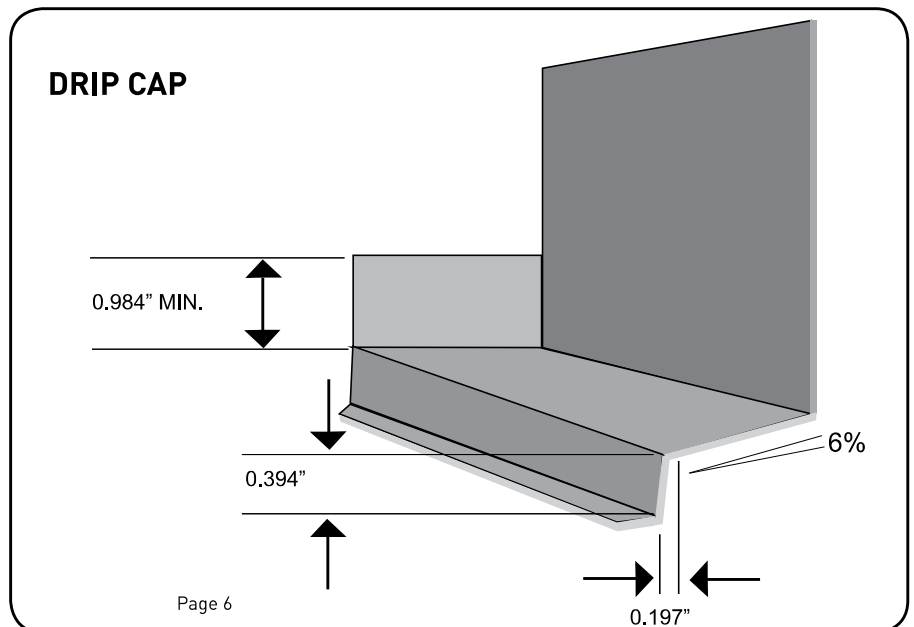
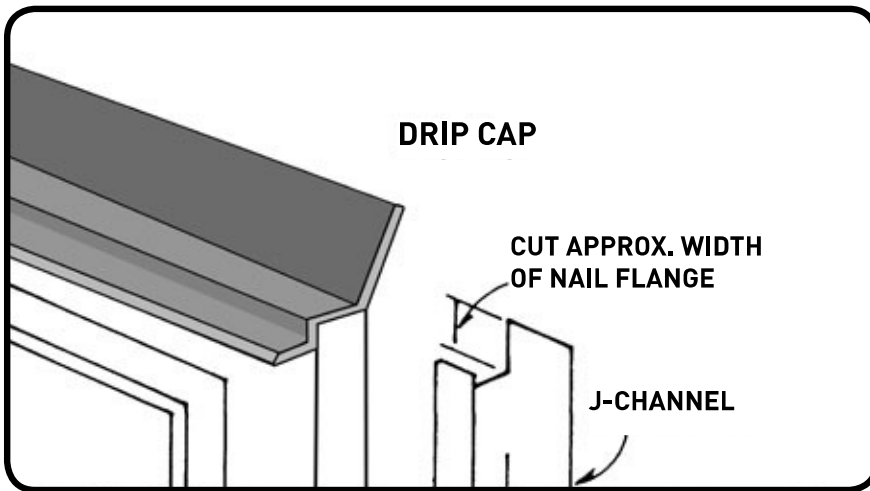
Furring strips must be installed vertically and must be nailed into the wall studs at 16" (400 mm) O.C. At the bottom of the wall, to provide better support for the first row of siding, a furring strip of about 12" (300 mm) long should be installed vertically centered between each main furring strip. Both the top and bottom of the space between furring strips must be left open to ensure ventilation.

The opening at the bottom should be open to the outside except for the insect screen or ventilated moulding. The siding must be fastened by nailing about 3/4" (19.05mm) from the top edge of siding at each stud or vertical furring strip located over the stud, leaving no more than 16" (400 mm) between nails.

If siding applied adjacent to patios, roof line, porches, etc. the siding must have a clearance of a minimum of 2" above the surface. Furring strips must extend beyond the concrete foundation line by 1/4" to 1" to ensure the overlap of the siding and the foundation.

Minimum 1/2" spacing between flashing and the siding to allow for adequate drainage and air flow. Please see diagrams below on how to address windows and rooflines.

ABOVE WINDOWS AND DOORS

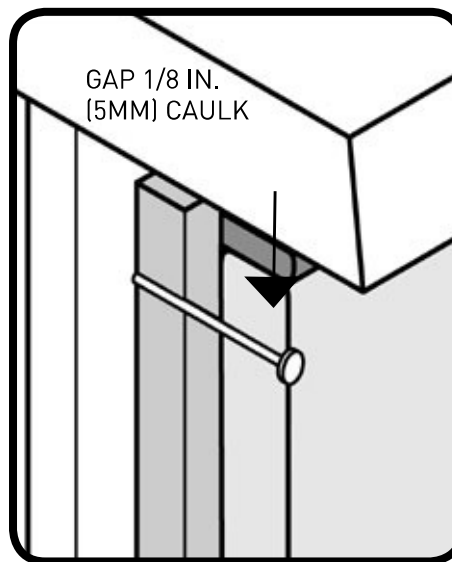


BELOW WINDOWS

Space nails 8 in. (200 mm) O.C. along edge of siding under windows. Do not force siding into place as this will cause buckling. ALWAYS LEAVE A 1/8 in. (3.175 mm) space where siding meets trim or other materials to allow for expansion and fill with caulking

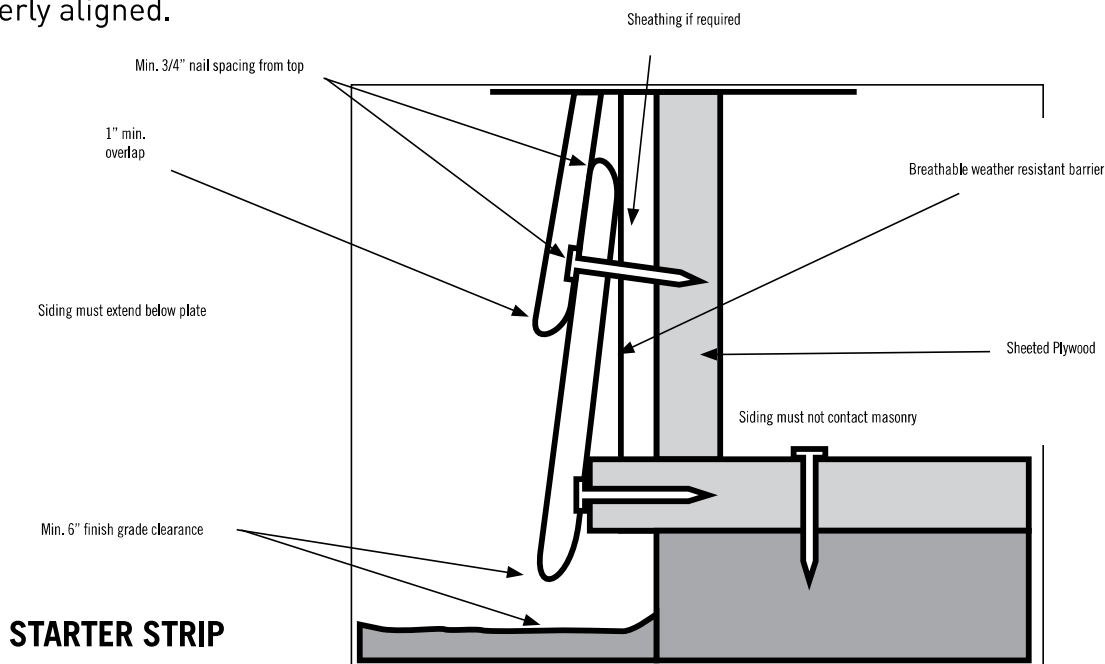
BELOW ROOFLINES

Space nails 16 in. (400 mm) O.C. along edge of siding under rooflines. Do not force siding into place as this will cause buckling. ALWAYS LEAVE A 1/8 in. (3.175 mm) space where siding meets trim or other materials to allow for expansion and fill with caulking



3. STARTER AND OVERLAPS

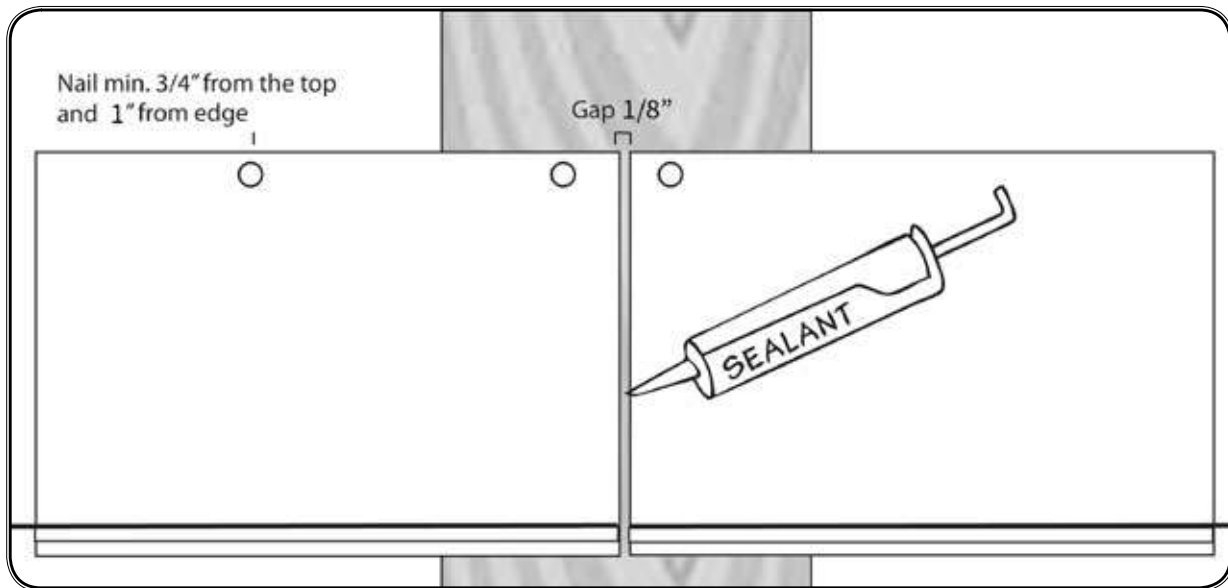
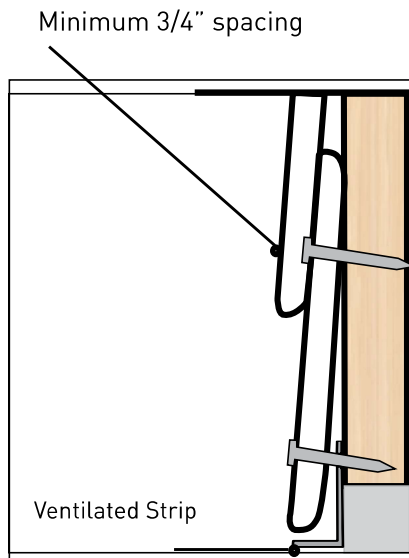
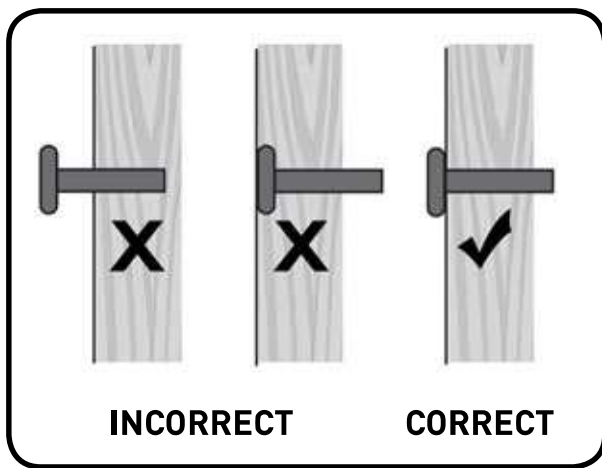
With KWP Eco-Side a starter strip is not required. The bottom-most plank must be lifted to give it the same angle as the rest of the siding. Use a strip of siding, panel or wood (3/8" or 7/16" thick x 3/4" or 1" wide) that will resist the elements to lift the first course of siding. See picture below. Eco-Side offers panels in 6" and 8". The minimum overlap for both panels is 1". Overlapping the panels by more than 1" reduces the overall coverage per panel. Use a siding gauge or tape measure when installing Eco-Side to adjust the overlap. A siding gauge can be found at any building materials store. Use a level to ensure your siding is properly aligned.



STARTER STRIP

4. NAILING

KWP offers 2" (50 mm) spiral color-matched nails. Nail length will be determined by wall construction and in all cases must allow a minimum of 1 ¼" (32 mm) penetration into solid backing or 1 1/8" (28 mm) if spiral nails are used. There must not be more than 16" (400 mm) O.C. spacing between nails. Nailing should always start at one end of the siding and proceed toward the other end to prevent rippling. Ensure that strips are aligned at corners of the building. Do not countersink nail heads. Particular attention is necessary when using an air nailing gun. Nails should have a minimum ¾" spacing from the top. Staples can be used and should be a Galvanised or Stainless 7/16, 16 gauge staple with a length of 1.75 in minimum.



4.1 Fastner Requirements (See diagram 1)

Blind nailing is the preferred method of installation for Eco-side siding products. Face nailing should only be used where required by code for high wind areas.

Blind Nailing (See diagram 1)

Corrosion Resistant Nails (Galvanized or Stainless Steel)

- Roofing nail (3 mm shank x 9.5mm HD x 32 mm (1 1/4") long)
- Minimum requirements: Siding nail (2.4 mm shank x 5.6 mm HD x 50 mm (2") long)

Corrosion Resistant Screws

- Ribbed water-head or equivalent (No.8 x 9.5 mm HD x 32 mm (1 1/4") long).
Screws must penetrate 6 mm or 3 full threads into metal framing.

Corrosion Resistant Fastners

- ET & F Panelfast (2.5 mm shank x 8 mm HD x 38 mm (1 1/2") long)

Face Nailing (See diagram 2)

Corrosion Resistant Nails (Galvanized or Stainless Steel)

- 6d common nail (2.9 mm shank x 6.7 mm HD x 50 mm (2") long)
- Siding nail (2.3 mm shank x 5.6 mm HD x 50 mm (2") long)
- Siding nail (2.3 mm shank x 5.6 mm HD x 38 mm (1 1/2") long)

Corrosion Resistant Screws

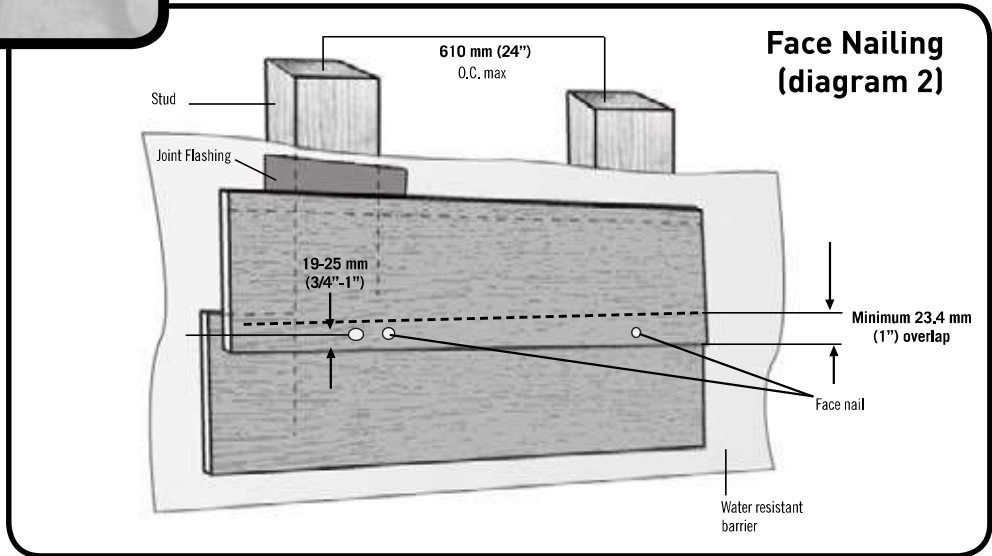
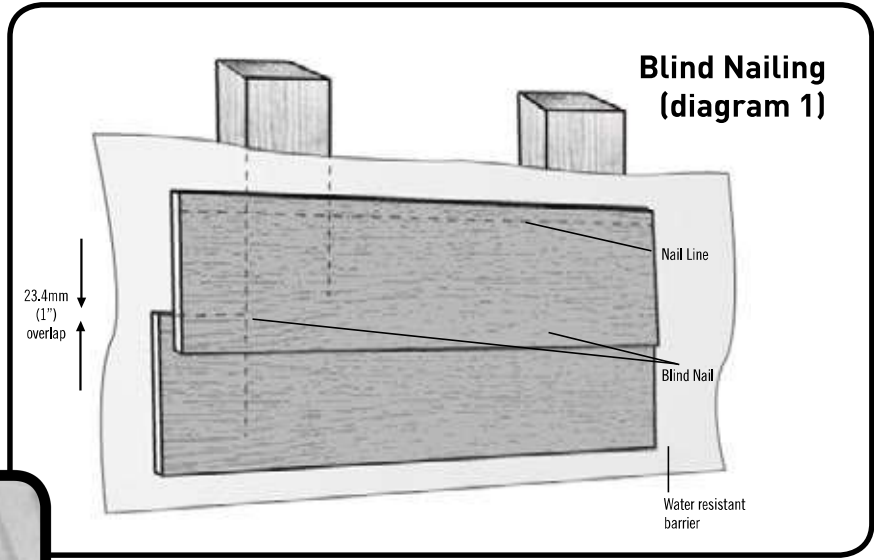
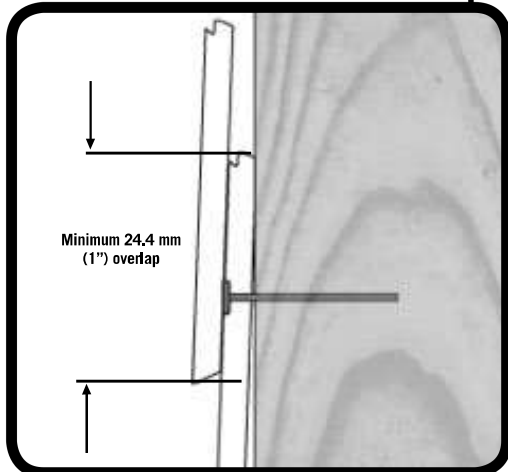
- Ribbed water-head or equivalent (No.8-18 x 8.2 mm HD x 41 mm (1 5/8") long).
Screws must penetrate 6 mm or 3 full threads into metal framing.

Corrosion Resistant Fastners

- ET & F pin (2.5 mm shank x 6.4 mm HD x 38 mm (1 1/2") long)

4.1 Fastner Requirements (Diagrams)

Minimum overlap for both face and blind nailing



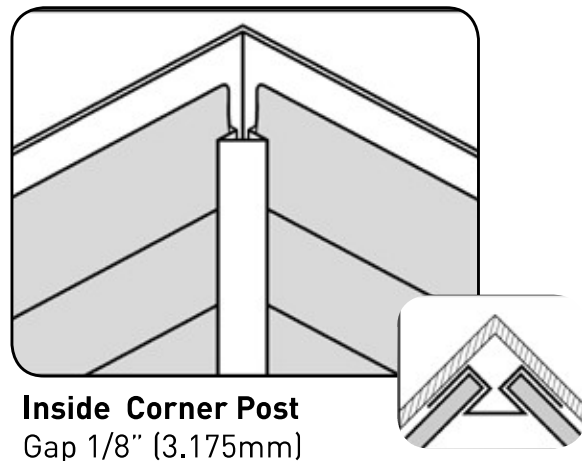
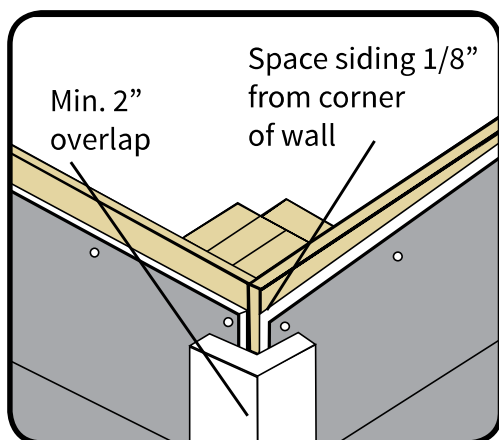
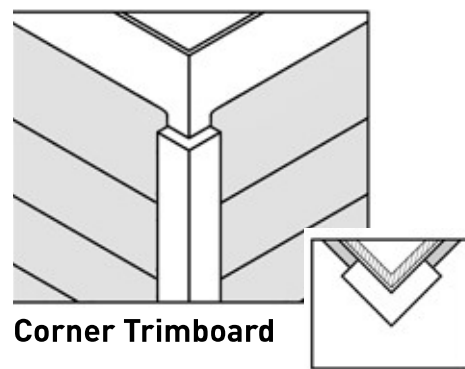
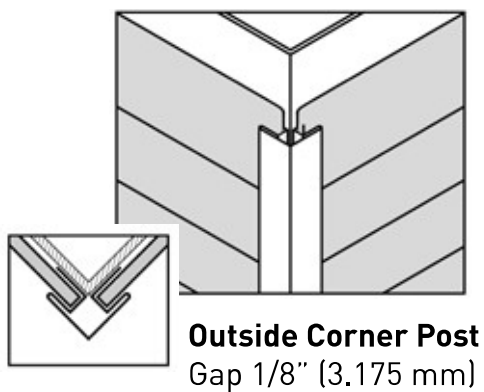
5. CUTTING KWP ECO-SIDE SIDING

For proper cutting use a fine-toothed saw or power saw with a combination blade. Make sure that the cutting action is on the painted side of the product.

6. TRIMS AND ACCESSORIES

A complete range of trims and accessories are available from KWP including:

- Color-matched aluminum moldings for joints, inside and outside corners, j-moldings, drip caps, ventilated strip and Z flashings.
- Color-matched nails.
- Engineered wood Trim Board to match siding colors.
- Engineered wood outside corners in matching colors.
- Color-matched caulking and touch-up paint.

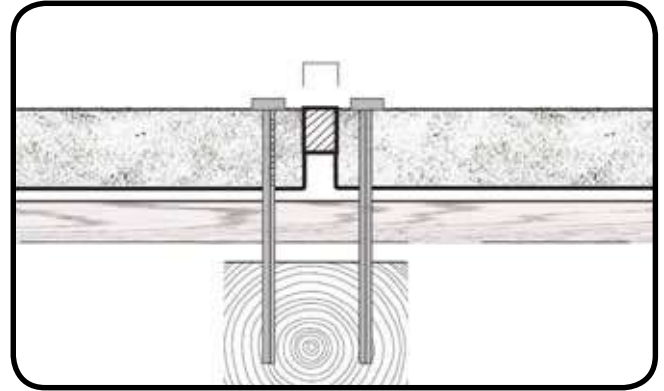


7. SIDING JOINTS

The vertical joint between adjacent siding pieces must be located over the middle of a stud or furring strip located over a stud. Leave a 1/8" (3.175 mm) gap between siding pieces and nail into the stud or furring strip located over a stud. Nail on each side of the joint spacing at the top of the panel. You could use a joint cover to slide between the planks and nailed on top underneath the overlap. Below are the joint options:

7.1. CAULKING ONLY

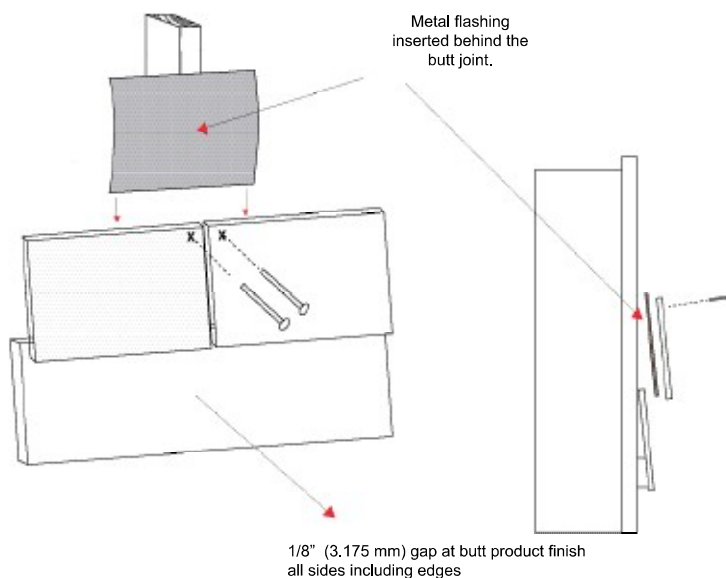
Use Thermoplastic Caulking only to fill up the joint. Joints should be filled from bottom to the top



7.2 CAULKLESS BUTT JOINT DETAIL

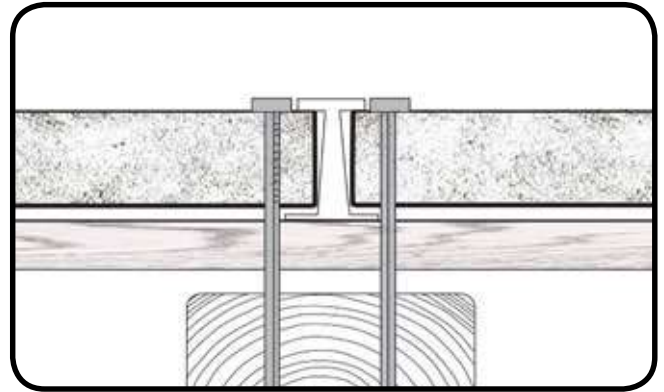
Caulk may be omitted from the butt joints of Eco-Side Lap Siding provided the following conditions for Pan-Flashing and Pre-Finishing are met:

- The siding must be pre-finished on the primed surface, all edges, and all ends.
- All lap joints must be pan-flashed as described below and shown in the image below.
- The pan flashing overlap must equal the overlap of the siding image below.
- The pan must be 6" (152.4 mm) in width and must be centered at the lap joint.
- The pan flashing must be installed in order to prevent water penetration behind the siding.
- All lap butt joints that have unprotected, field-cut ends must be protected by a high quality paintable caulk.
- Lap joint details at trim must be caulked.
- The minimum spacing at the lap joint is 1/8" (3.175 mm).



7.3 JOINT COVERS

If joint moulding option is selected, add the thickness of the web to the gap allowing a net 1/8" in. space for expansion.



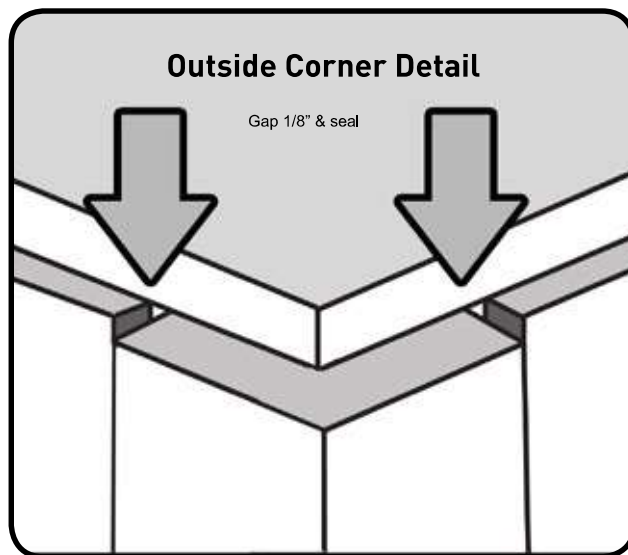
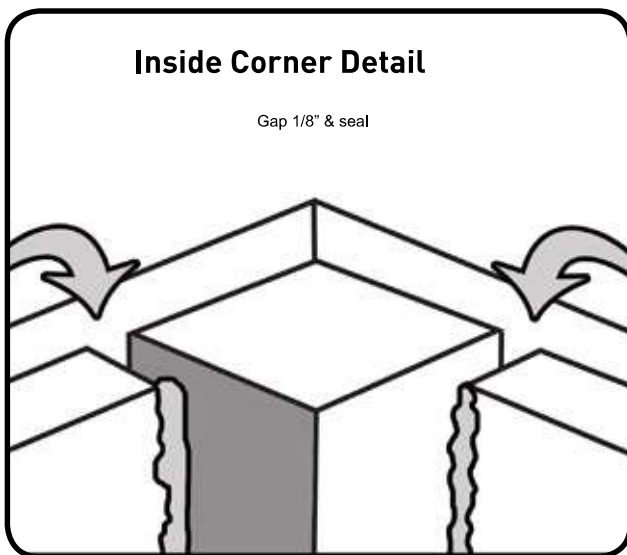
*****In certain regions KWP Eco-Side may be butted together.
Please contact KWP for approval.**

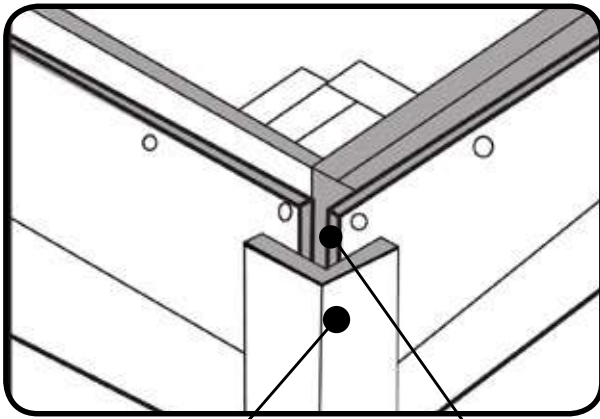
8. CORNERS:

If inside and outside corners are used (vinyl or aluminum), they should be installed BEFORE the siding; alternatively, wood trim or KWP Eco-Side engineered wood Trim Board should be installed over the siding AFTER it has been installed. Siding should not be butted tightly to inside and outside corners, a 1/8" (3.175 mm) gap must be provided between the edge of the siding panel and the inside or outside corners. Siding can be applied to KWP wood outside/inside corners leaving a 1/8" (3.175 mm) gap and filled with caulking.

Three approved methods are:

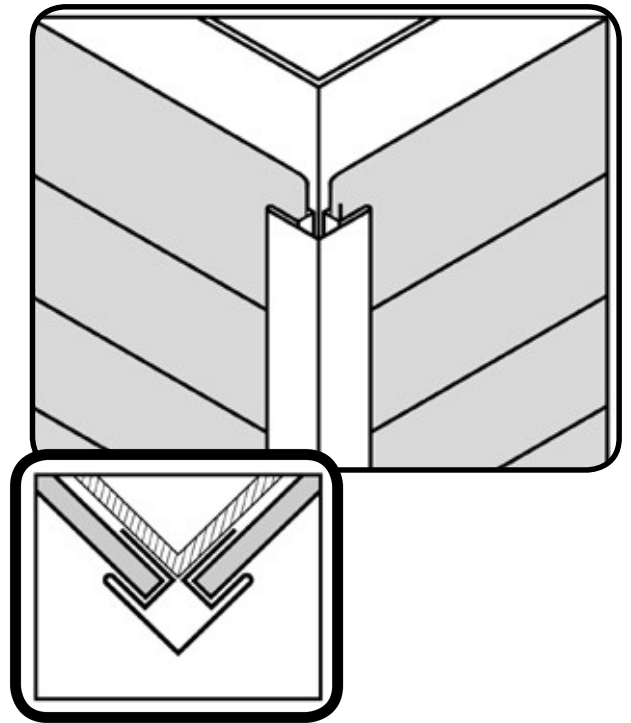
1. The overlap wood trim method.
2. The KWP OSCP/ISCP with 1/8" (3.175 mm) space caulked method
3. OSCP/ISCP vinyl/aluminum with built-in pockets.





Min. 2" overlap

Space siding 1/8" from corner of wall

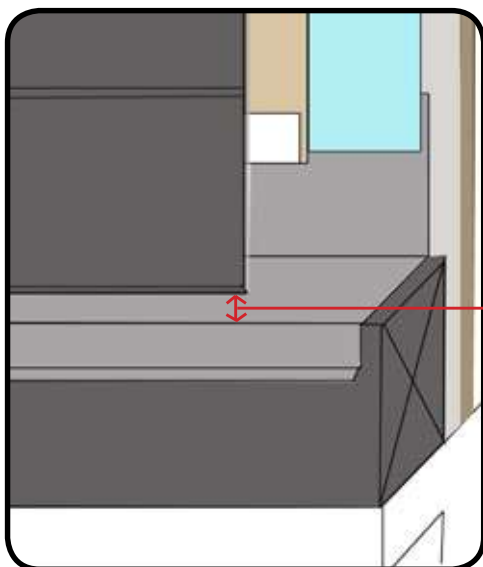


9. WINDOWS & DOORS

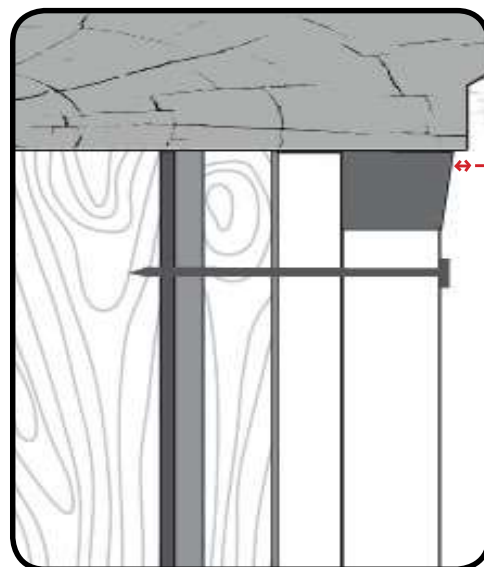
Space nails 8" (200 mm) O.C. along edge of siding under windows (shim if/where necessary). Any use of force when putting siding into place will cause buckling. To allow expansion, leave a space of 1/8" (3.175 mm) wherever siding butts against trim or other materials and use caulking or j-moldings

9.1 ABOVE WINDOWS & DOORS

Install flashing over all openings, flat surfaces and wherever moisture drainage is needed. There should be a 1/2" gap between the siding and the flashing for drainage.

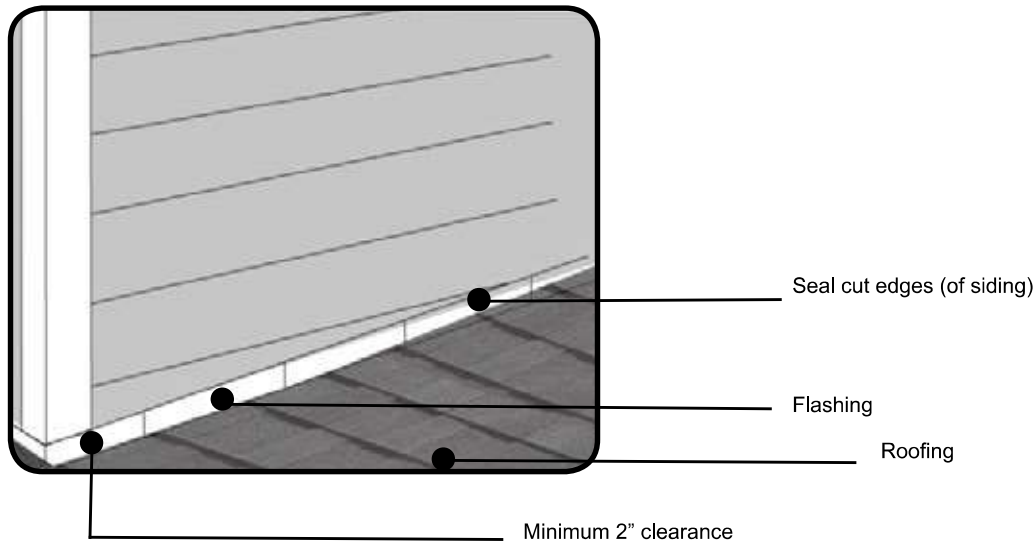


1/2" space between the siding and the flashing over all openings

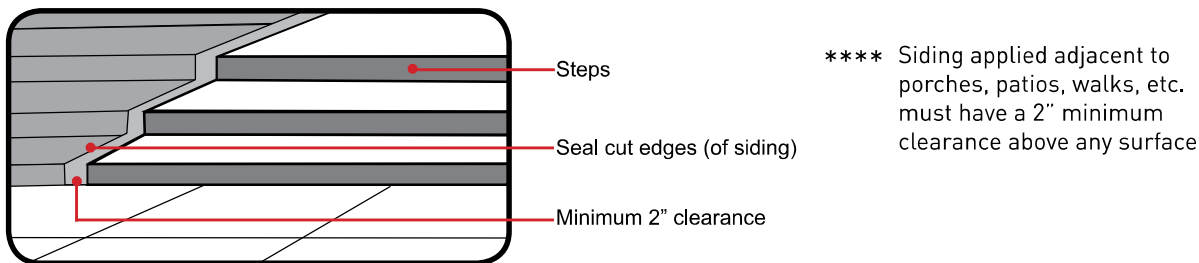
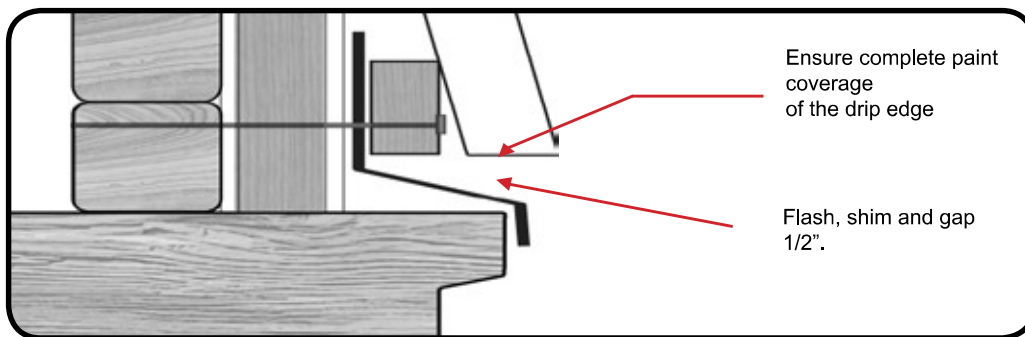


Gap 1/8" (5mm) & caulk

11. OVER OPENINGS:



Openings should be flashed to allow proper drainage.

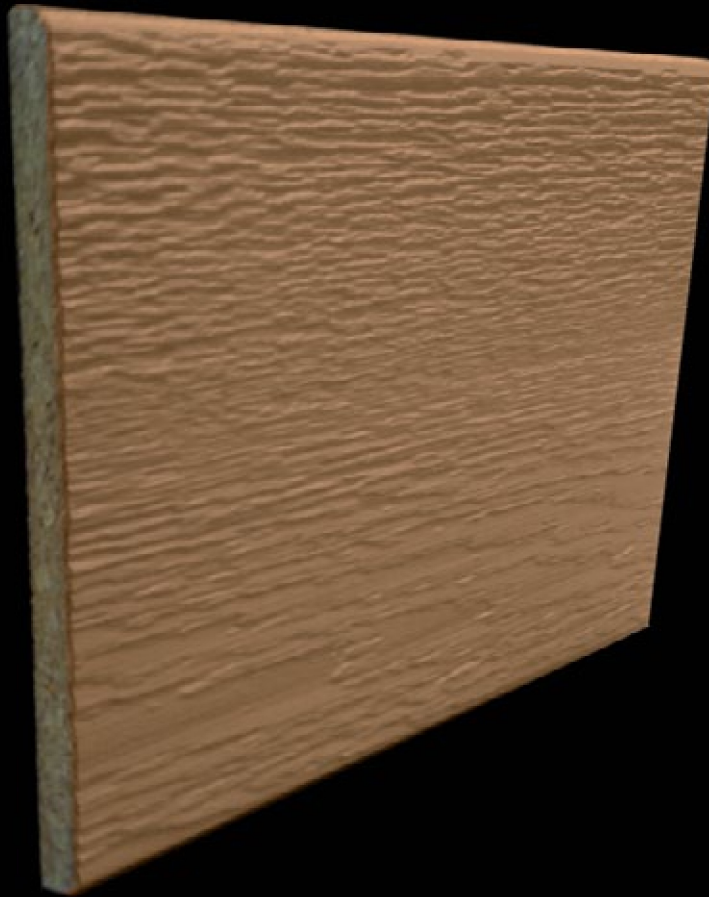


12. FINISH REPAIRS

Any scratches should be covered by color-matched KWP touch-up paint. Soak the raw surface with touch-up paint by applying it with a fine brush or point of a cloth, then immediately rub off the excess with a cloth to prevent a blotchy appearance.

13. CARE OF PRE-FINISHED SIDING

All KWP Eco-Side siding finishes are long wearing and require little maintenance. However, for best results, siding must be washed annually using nonabrasive household cleansers according to the manufacturer's recommendations. Test cleansers on a small area to ensure they do not damage the finish. Rinse siding surface thoroughly after applying cleanser.



NATURE AT ITS BEST...

All KWP Naturetech wood products and accessories are backed by a worry-free, KWP 50|25 year warranty.

www.KWPproducts.com



Naturetech™ & Eco-side® are registered trademarks of KWP Inc. All rights reserved.

Important: Specifications and colors are subject to changes without notice. Please refer to actual color chips for accurate color representation.